

## TECHNICAL DATA SHEET

| MODEL NO.     | AMPS | HP  | kW   | NET WT. |    | VOLT | FREQ. |
|---------------|------|-----|------|---------|----|------|-------|
|               |      |     |      | lbs.    | kg |      |       |
| 87R-25B-JEBCB | 5.7  | 1/2 | 0.37 | 70      | 32 | 120  | 60    |

**NOTES:**

1. SYSTEM CONFORMS TO UL REQUIREMENTS.
2. PRESSURE SWITCH SET TO CUT-IN AT 6 BAR & CUT-OUT AT 8 BAR.
3. PRODUCT PERFORMANCE MAY VARY ±10% IN STANDARD PRODUCTION.
4. SUPPLIED WITH NEMA 5-15R PLUG.
5. TECHNICAL DATA SUBJECT TO CHANGE WITHOUT NOTICE.
6. ALL DIMENSIONS ARE FOR REFERENCE ONLY.

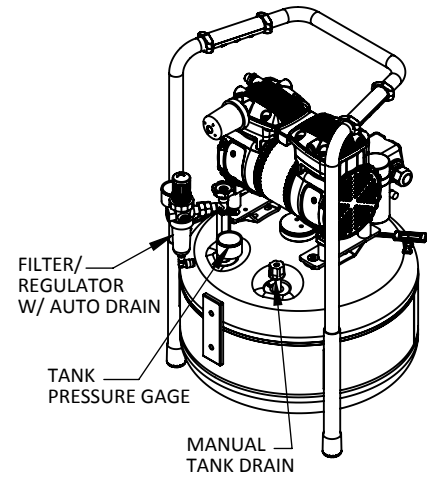
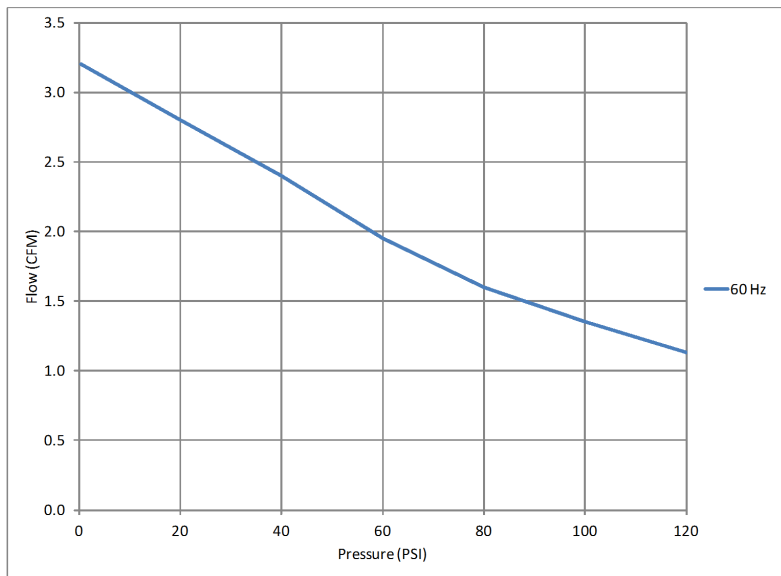
**SOUND LEVEL** 63 dB(A) /1m

**NORMAL AMBIENT** 5-40°C / 40-104°F

**RELATIVE HUMIDITY** 20-80% NON CONDENSING

**ENVIRONMENT** CLEAN / DUST FREE

**PRODUCT PERFORMANCE:**



**PRODUCT DIMENSIONS:**

